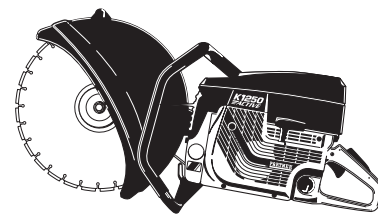


PARTNER



IPL, K 1250 Active, 2001-04, 106 24 94-63

K 1250 Active

Reservdelar

Spare parts

Ersatzteile

Pieces de rechange

Piezas de repuesto

Ricambi

Peças

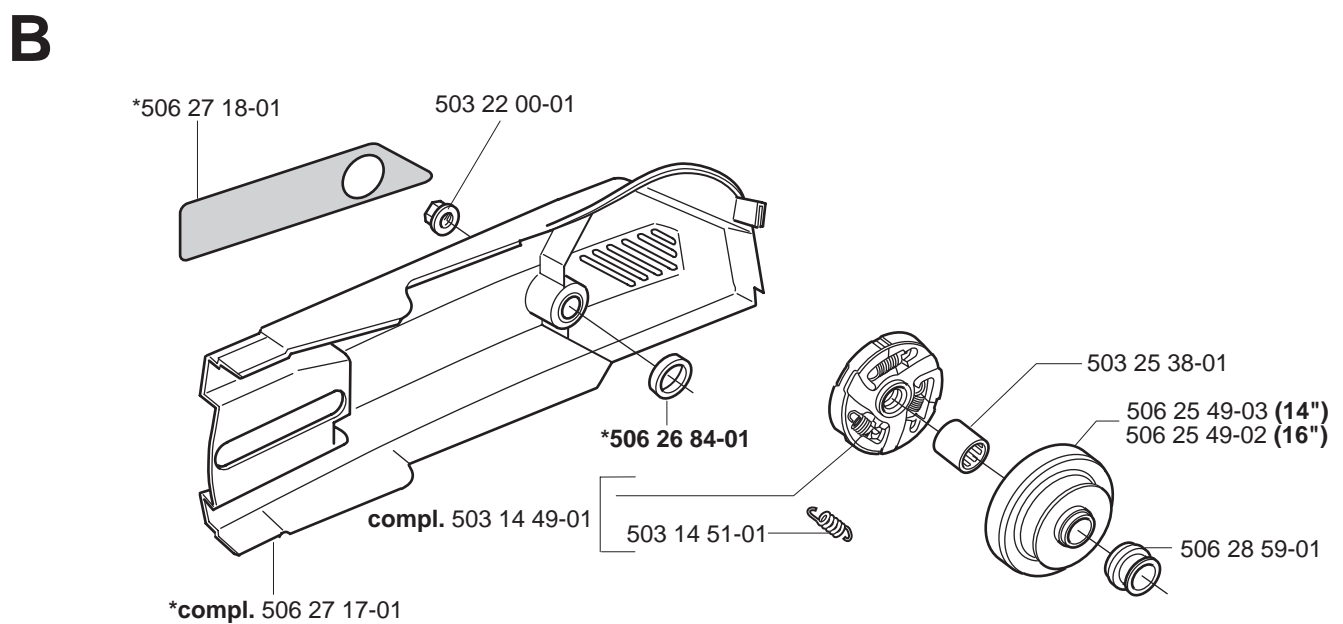
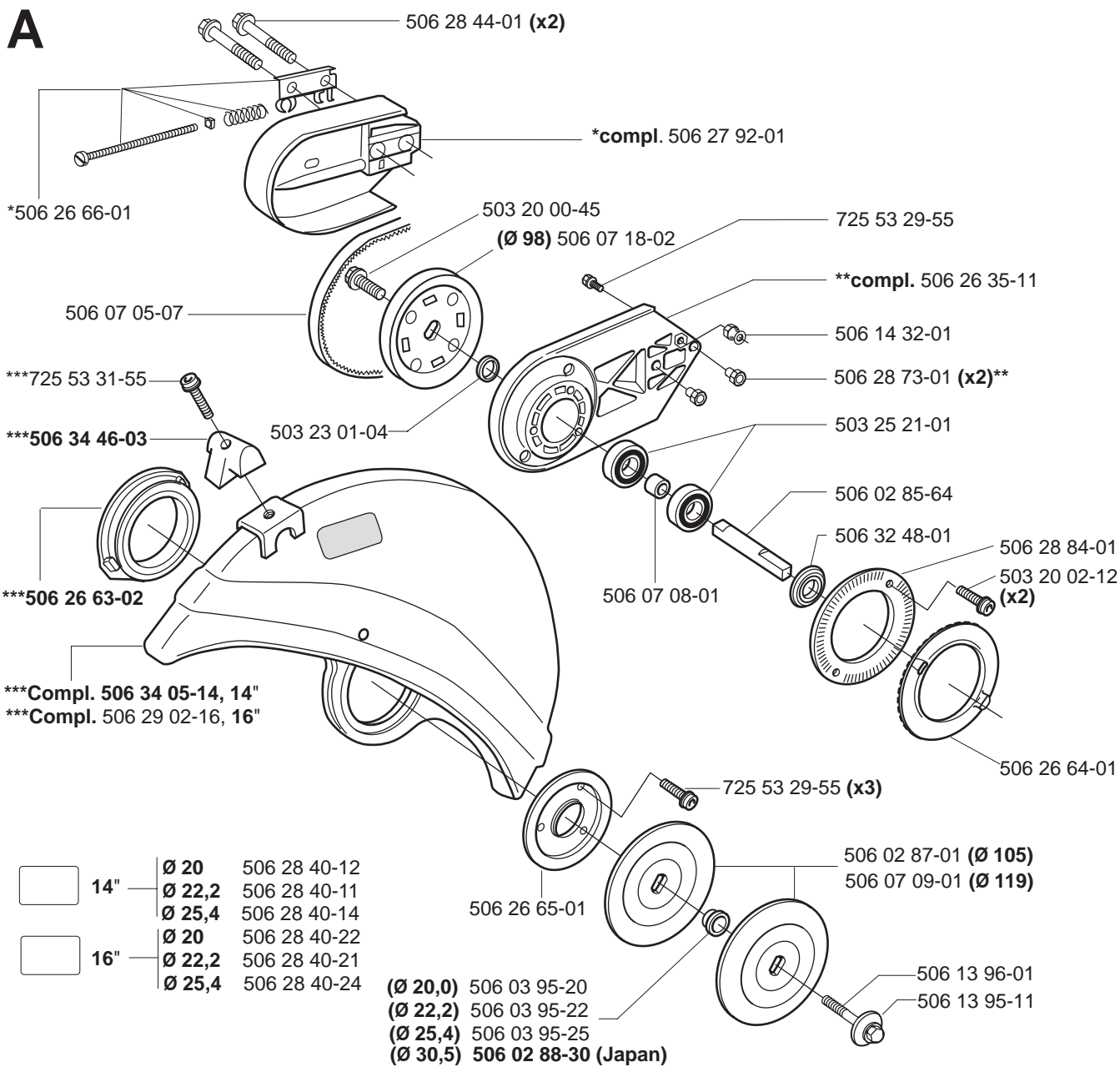
sobresselente

106 24 94-63

PARTNER[®]

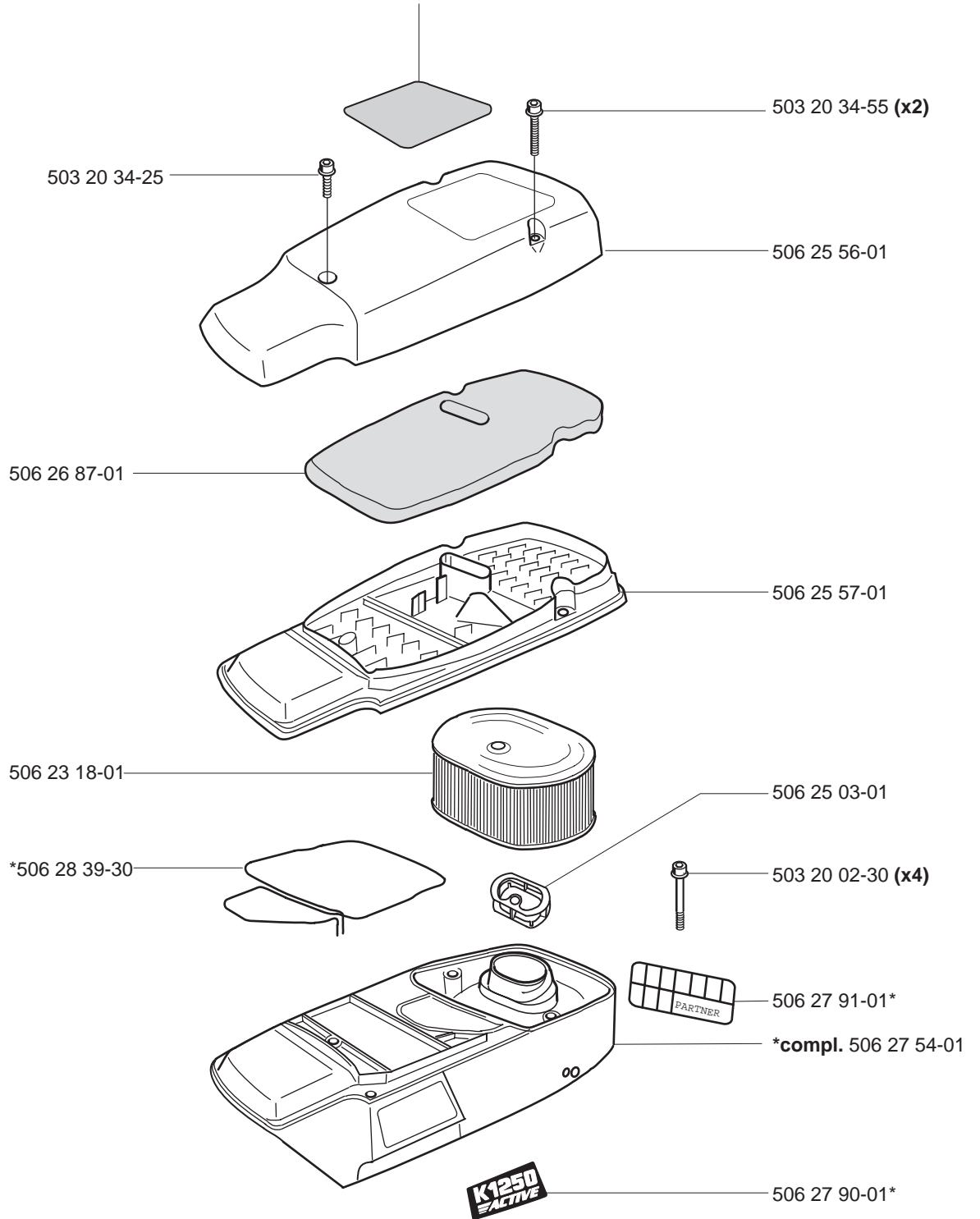
No.	Pos.	Description	No.	Pos.	Description
501 26 97-04	H	Antivib element	503 21 05-25	J	Screw
501 27 08-01	H	Sleeve	503 21 06-16	M	Screw
501 46 75-01	N	Gasket	506 21 06-19	Q	Screw
501 46 84-01	N	Spring	503 21 06-32	J	Screw
501 46 85-01	N	Ball	503 21 45-16	K	Screw
501 48 54-02	L	Spark plug conn.	503 21 60-25	D	Screw
501 63 48-01	L	Spring	503 21 64-01	F	Bolt
501 66 61-01	N	Screen	503 21 75-65	G	Bolt
501 67 32-03	L	Pawl	503 21 90-08	L	Screw
501 69 17-02	P	Combination tool	503 22 00-01	B,H	Nut M6MF M8
501 69 28-01	N	Cover	503 22 10-03	L	Nut M 10x1
501 76 83-04	K	Hose	503 22 20-07	F	Nut
501 81 47-01	K	Antivib element	503 22 65-04	J	Nut
501 81 57-01	H	Bolt	503 23 00-05	D	Washer 6.5x11
501 81 99-01	L	Screw M5x14	503 23 00-42	L	Washer 10x5,3x1
501 83 98-03	L	Lead	503 23 01-04	A	Washer 15x21
501 89 25-73	H	Crankcase cpl.	503 23 43-02	M	Washer
501 89 41-03	D	Piston cpl.	503 23 51-08	D	Spark plug RCJ7Y
501 89 50-03	L	Flywheel cpl.	503 25 00-02	E	Ball bearing 6203C3QE6
501 89 59-02	L	Air conductor	503 25 21-01	A	Ball bearing
501 89 67-01	M	Pulley	503 25 38-01	B	Needle bearing
502 10 31-01	N	Bushing	503 26 02-05	H	Sealing ring
503 11 72-01	N	Gasket	503 26 30-21	Q	O-ring
503 11 73-01	N	Diaphragm	503 28 12-17	G,N	Carburettor
503 11 75-01	N	Screw with washer	503 28 90-26	D	Piston ring
503 12 79-02	M	Starter handle	503 52 58-01	N	Choke flap
503 13 00-02	F	Muffler cpl.	503 52 59-01	N	Spring
503 13 13-04	D	Gasket	503 52 60-01	N	Pin
503 13 16-01	K	Throttle catch	503 56 34-01	N	Inlet needle
503 13 18-01	K	Spring	503 56 45-01	N	Sealing ring
503 13 20-01	H	Grommet	503 57 42-01	N	Welch plug
503 13 24-01	L	Grommet	503 57 76-02	K	Hose 300 mm
503 13 25-01	K	Antivib element	503 57 89-01	K	Holder
503 13 26-01	K	Antivib element	503 59 55-01	N	O-ring
503 13 27-01	K	Antivib element	503 59 56-01	N	Lever
503 13 29-01	D,E	Needle bearing	503 59 57-01	N	Lever
503 13 36-01	K	Throttle lever	503 59 58-01	N	Cover
503 13 46-01	D	Gasket	503 59 59-01	N	Throttle shaft
503 13 50-01	M	Recoil spring	503 59 65-01	N	Screw
503 14 05-01	K	Plate	503 59 72-01	N	Washer
503 14 08-01	K	Bushing	503 59 74-02	N	Diaphragm set
503 14 20-72	E	Crankshaft cpl.	503 59 84-01	N	Nipple
503 14 21-07	K	Tank unit cpl.	503 63 24-01	N	Throttle valve
503 14 23-01	K	Throttle catch, kit	503 63 28-01	N	Diaphragm
503 14 37-01	G	Sealing	503 63 29-01	N	Screw (idle speed)
503 14 49-01	B	Clutch cpl.	503 63 31-01	N	Spring
503 14 51-01	B	Clutch spring	503 63 32-01	N	Screw (low speed)
503 14 54-02	H	Grommet	503 66 56-01	D	Valve
503 19 22-01	N	Screw	503 71 79-01	L	Stop switch
503 20 00-45	A	Screw	503 90 17-01	L	Ignition module
503 20 02-10	J	Screw	503 97 66-01	N	Jet
503 20 02-12	A,H,K	Screw	504 35 72-01	K	Tank vent filter
503 20 02-20	G,H	Screw	505 31 67-17	N	Screw
503 20 02-25	K	Screw	505 31 67-23	N	Lever spring
503 20 02-30	C,K	Screw	505 31 67-31	N	Lever axle
503 20 02-65	H	Screw MC6SF	505 31 67-34	N	Lever
503 20 03-12	J	Screw MC6SF	505 31 67-37	N	Spring
503 20 25-20	L	Screw	505 31 67-48	N	Washer
503 20 34-25	C,M	Screw	506 02 83-01	N	Washer
503 20 34-55	C	Screw	506 02 85-64	A	Shaft

No.	Pos.	Description	No.	Pos.	Description
506 02 87-01	A	Flange washer Ø105	506 28 40-12	A	Label 14-20
506 02 88-30	A	Bushing	506 28 40-14	A	Label 14-25,4
506 03 95-20	A	Bushing	506 28 40-21	A	Label 16-22,2
506 03 95-22	A	Bushing	506 28 40-22	A	Label 16-20
506 03 95-25	A	Bushing	506 28 40-24	A	Label 16-25,4
506 07 05-07	A	Belt	506 28 44-01	A	Bolt
506 07 08-01	A	Spacer	506 28 59-01	B	Spacer sleeve
506 07 09-01	A	Flange washer Ø119	506 28 73-01	A	Nut
506 07 18-02	A	Pulley	506 28 84-01	A	Flange
506 09 56-02	Q	Clamp	506 28 97-01	G	Flange, intake
506 13 95-11	A	Washer	506 28 98-01	K	Throttle wire cpl.
506 13 96-01	A	Screw	506 29 02-16	A	Guard 16i
506 14 32-01	A	Catch	506 29 21-01	K	Gasket
506 14 90-01	J	Support	506 29 24-01	P	Gasket set
506 23 18-01	C	Housing	506 29 39-01	K	Tank vent
506 23 34-01	K	Protector	506 29 42-71	D	Cylinder cpl
506 23 70-01	H	Air jet	506 29 56-01	Q	Nipple
506 24 10-71	G	Intake pipe	506 29 57-01	Q	Nipple
506 24 13-01	G	Air horn	506 29 88-01	Q	Screw
506 24 14-01	H	Cutting arm	506 31 38-01	G	Insert
506 25 01-01	J	Support	506 31 77-11	Q	Valve cpl
506 25 02-01	G	Insert	506 32 48-01	A	Sleeve
506 25 03-01	C	Insert	506 32 87-01	Q	Y-ube
506 25 04-01	G	Support , carburettor	506 32 89-03	Q	Wet cutting kit
506 25 43-01	H	Choke control	506 33 56-25	M	Sarter rope
506 25 46-01	G	Guide	506 34 05-14	A	Guard 14"
506 25 49-02	B	Drive wheel (16")	506 34 14-01	D	Cooling plate
506 25 49-03	B	Drive wheel (14")	506 34 46-03	AQ	Handle
506 25 53-01	J	Handle	530 03 50-15	N	Screw, shutter
506 25 56-01	C	Filter cover	537 00 28-01	N	O-ring
506 25 57-01	C	Filter base	537 00 29-01	N	Insert
506 25 58-01	M	Starter housing	537 00 30-01	N	Choke shaft
506 25 59-32	K	Tank cap cpl	537 00 31-01	N	Screw
506 26 35-11	A	Housing	537 15 34-01	N	Jet
506 26 41-01	K	Fuel filter	720 12 40-20	K	Pin
506 26 41-11	K	Fuel filter cpl	720 12 78-06	K	Pin 4x35
506 26 63-02	A	Lining	721 42 06-00	H	Pin
506 26 64-01	A	Flange	725 53 29-55	A	Screw MC6S 5x16
506 26 65-01	A	Flange	725 53 31-55	A,H	Screw MC6S 5x20
506 26 66-01	A	Tensioner	725 53 39-55	H	Screw MC6S 5x40
506 26 84-01	B	Sleeve	725 53 41-55	K	Screw MC6S 5x50
506 26 87-01	C	Foam filter	725 53 68-55	FK	Screw MC6S 6x16
506 26 97-02	H	Plug	725 53 70-55	H,J	Screw MC6S 6x20
506 27 11-01	K	Fuel filter weight	729 53 40-01	F	Screw
506 27 17-01	B	Clutch cover	735 11 73-50	L	Spring washer
506 27 18-01	B	Decal	735 88 06-00	E	Woodruff key
506 27 43-01	G	Gasket	737 44 13-00	D	Clip
506 27 49-01	F	Exhaust pipe			
506 27 54-01	C	Cylinder cover			
506 27 55-01	M	Starter cpl.			
506 27 84-11	C	Decal EPA			
506 27 84-12	C	Decal CE			
506 27 84-23	C	Decal Canada			
506 27 87-01	F	Support, muffler			
506 27 89-01	M	Decal			
506 27 90-01	C	Decal K1250			
506 27 91-01	C	Decal, instruction			
506 27 92-01	A	Cover, belt			
506 28 39-30	C	Sealing			
506 28 40-11	A	Label 14-22,2			

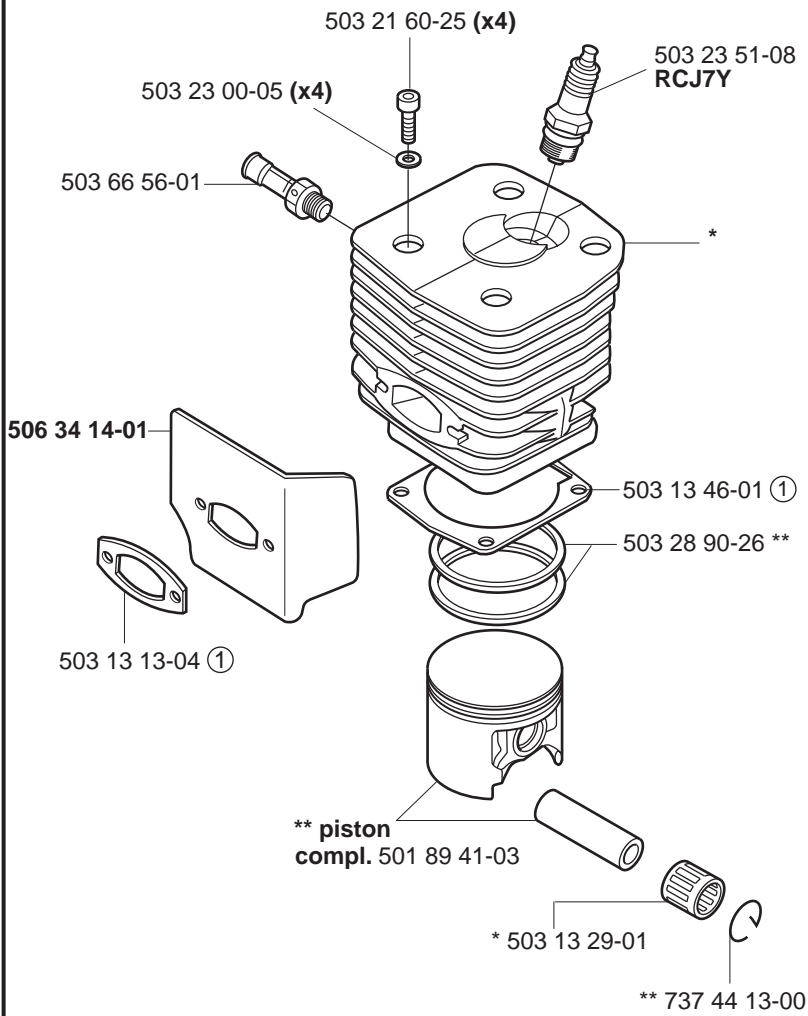


C

506 27 84-12 **CE**
506 27 84-11 **EPA**
506 27 84-23 **Canada**

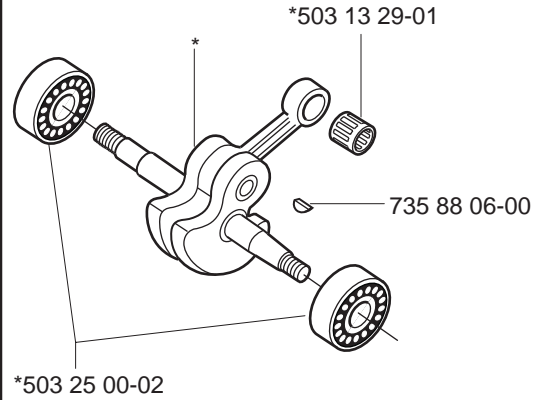


D cylinder *compl. 506 29 42-71

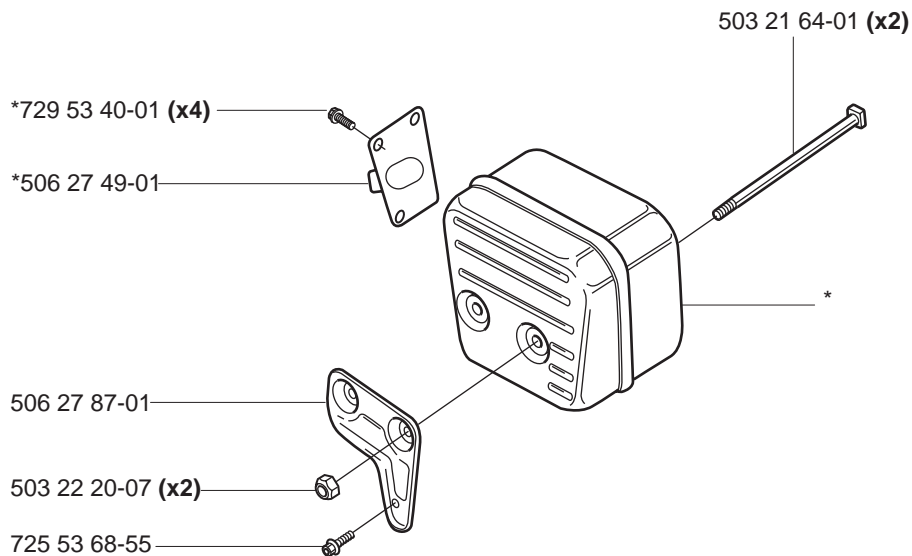


① Gasket set 506 29 24-01

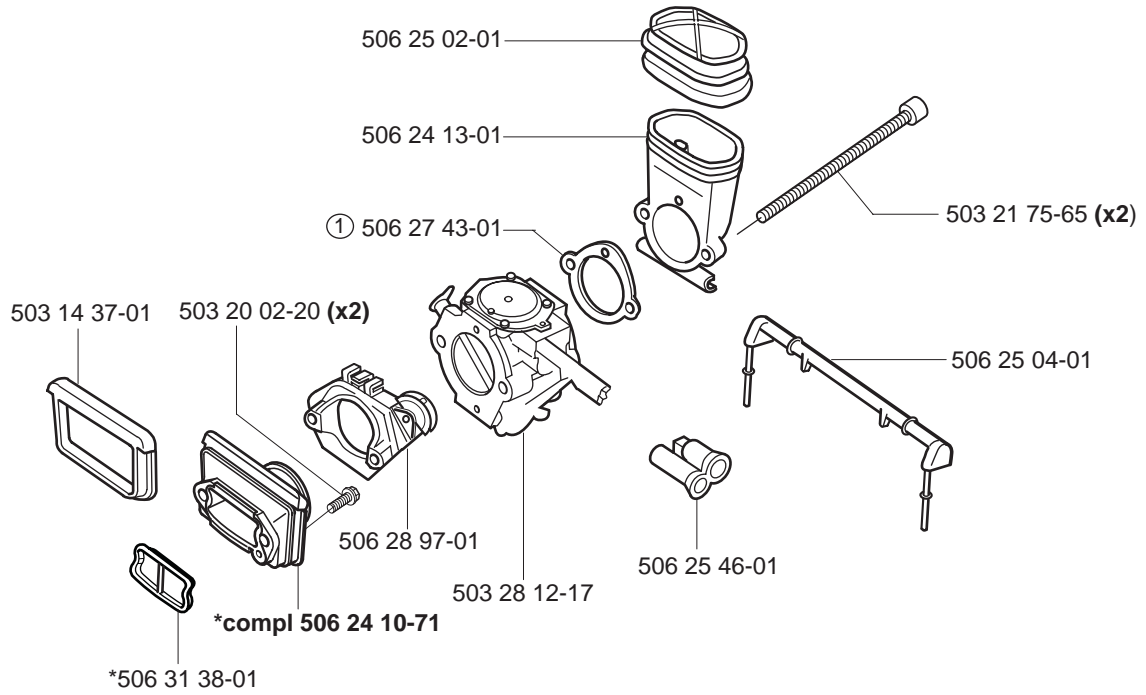
E *compl. 503 14 20-72



F *compl. 503 13 00-02



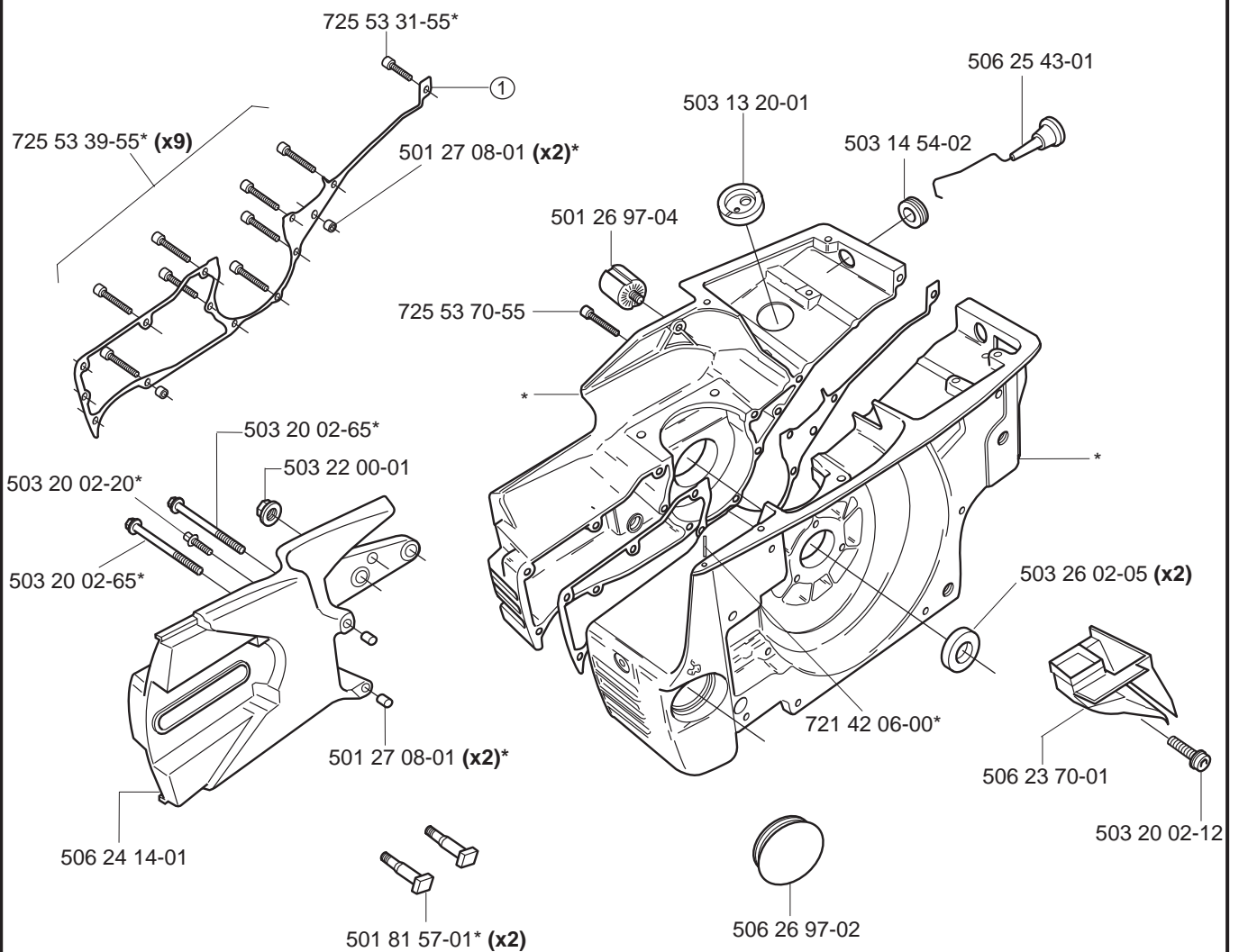
G



① Gasket set 506 29 24-01

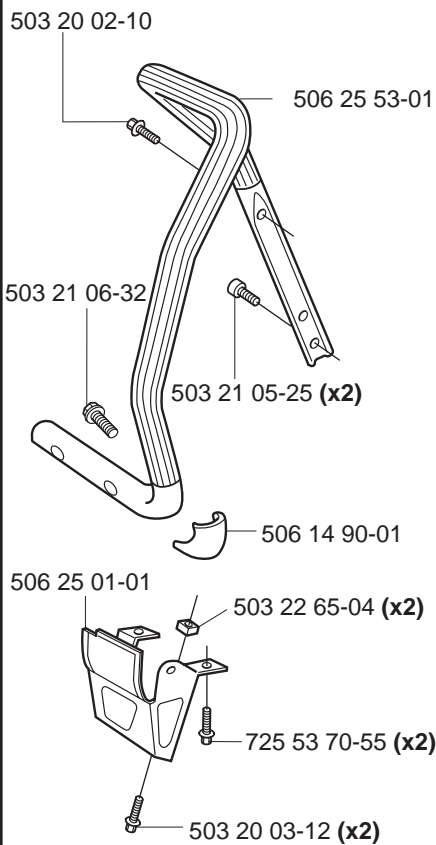
H

crankcase * compl. 501 89 25-73

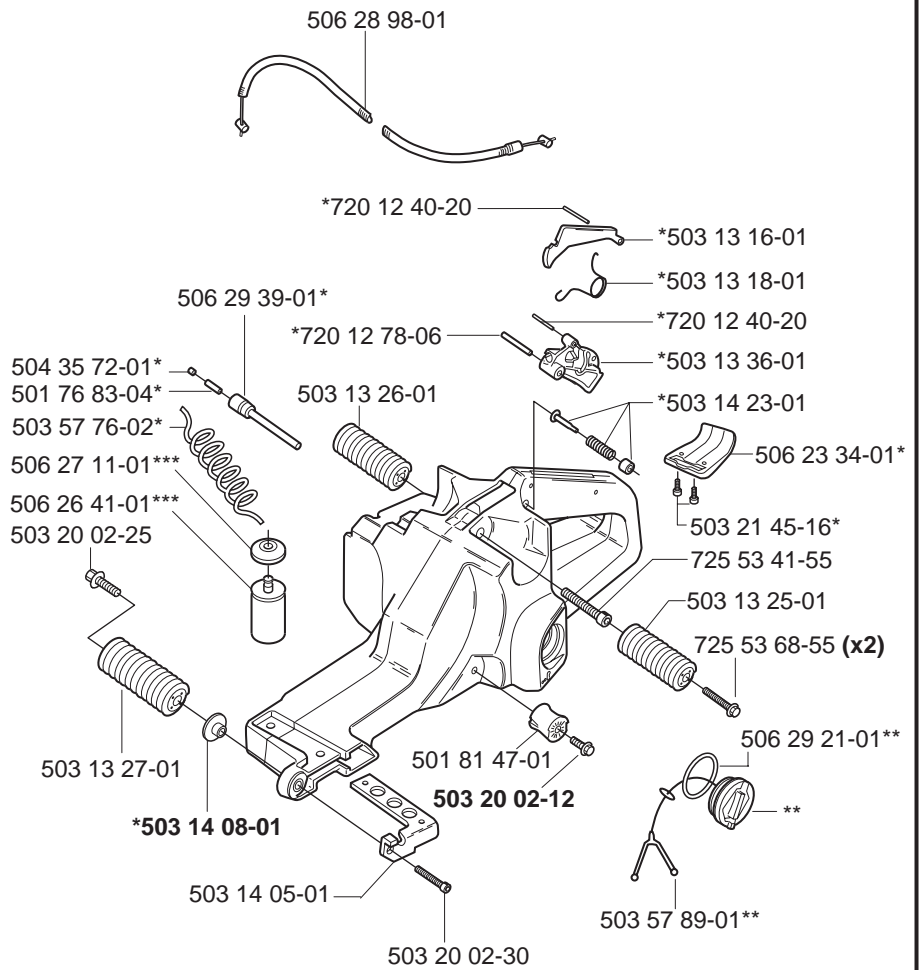


① Gasket set 506 29 24-01

J



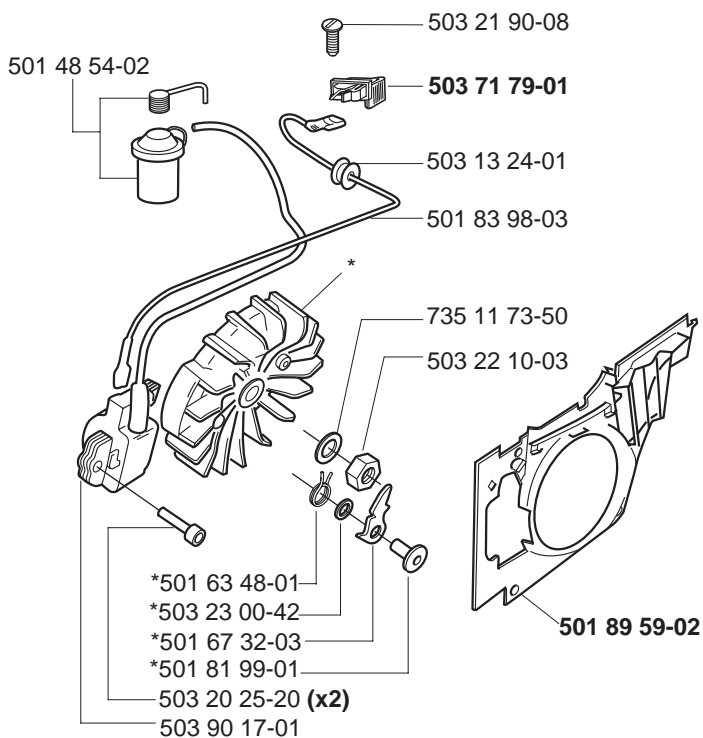
K tank unit * compl. 503 14 21-07



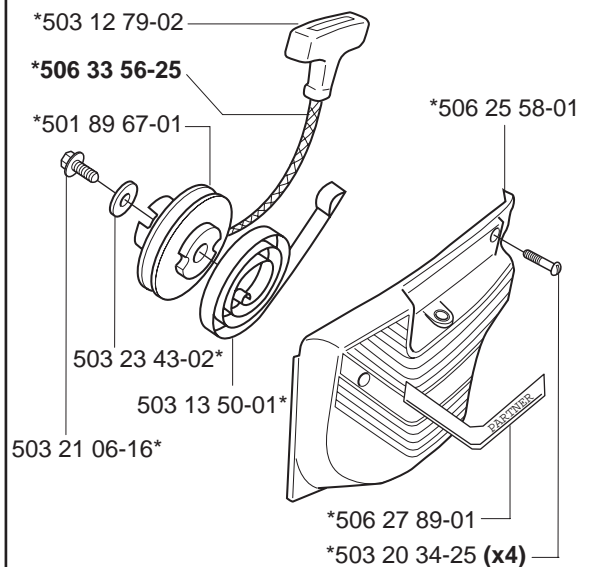
*** compl. 506 26 41-11

**compl. 506 25 59-32

L *flywheel compl. 501 89 50-03

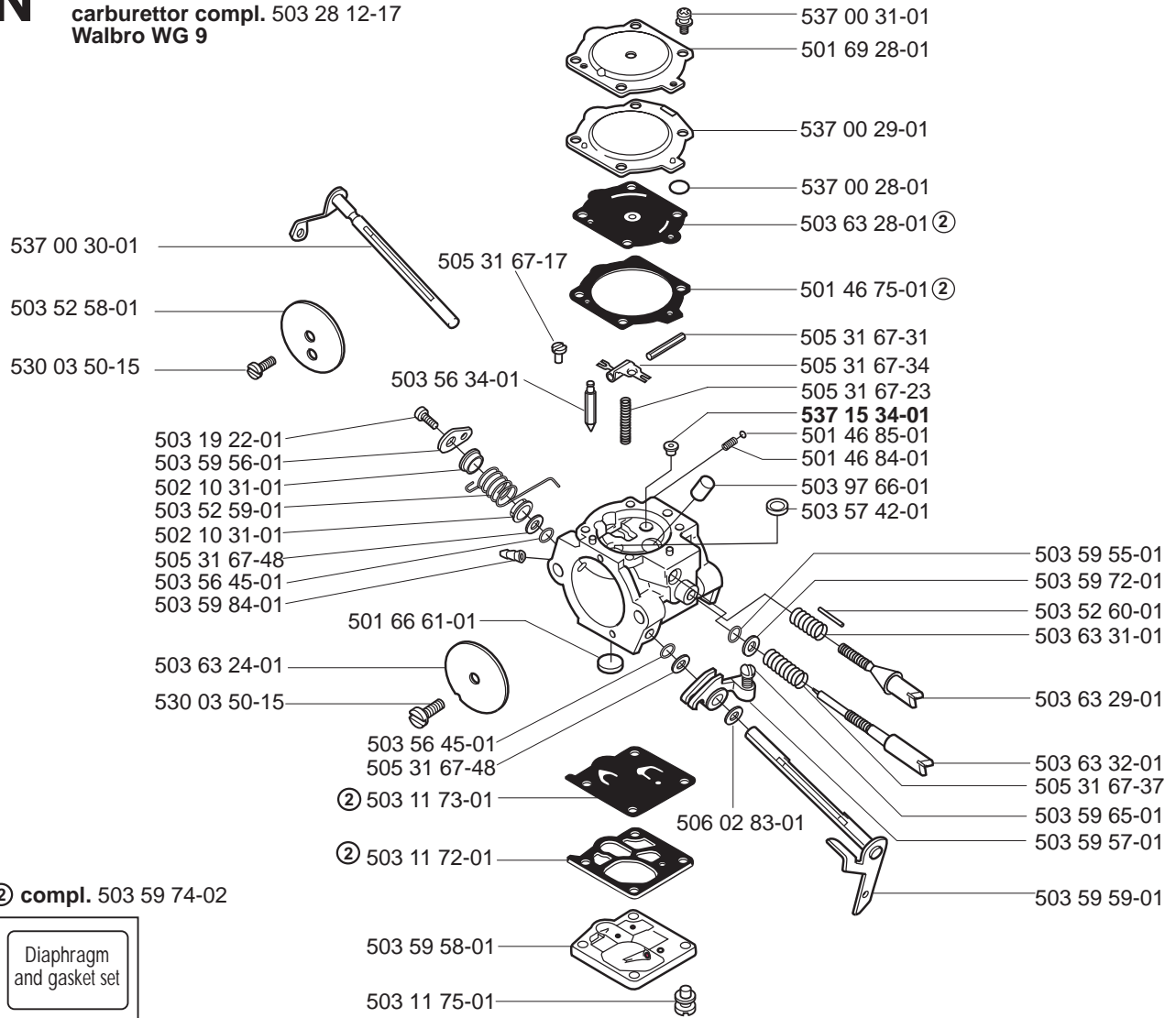


M *starter compl. 506 27 55-01



N

carburettor compl. 503 28 12-17
Walbro WG 9



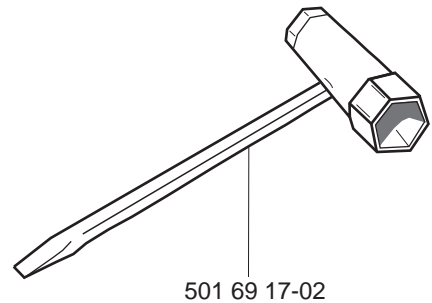
② compl. 503 59 74-02

Diaphragm
and gasket set

P

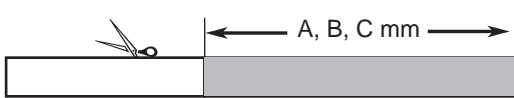
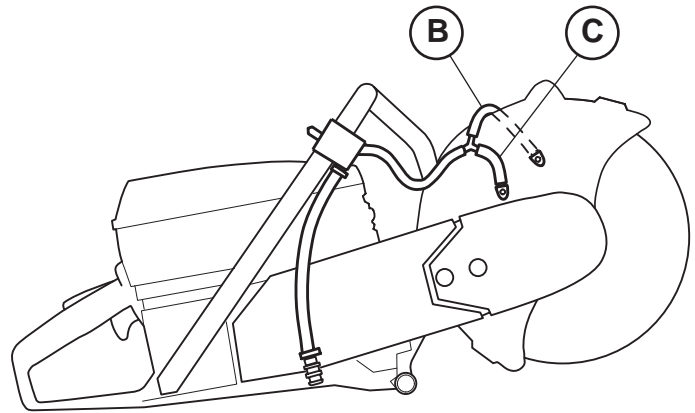
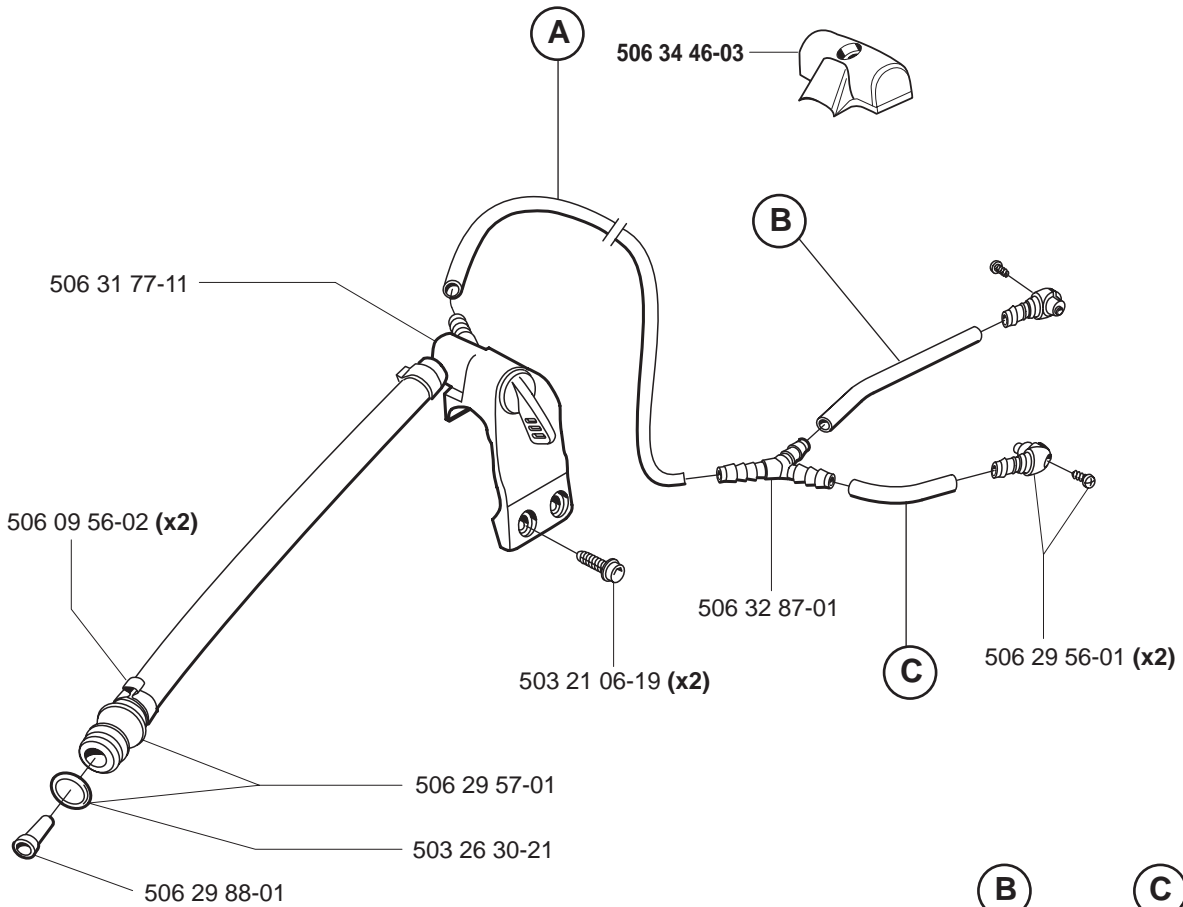
PARTNER
Packningssats
Gasket set
Dichtungssatz

① 506 29 24-01



Q

Wet cutting kit 506 32 89-03



Product	A (mm)	B (mm)	C (mm)
K650A-II 12"	270	210	45
K700A-II 14"	270	300	45
K950A 12"	240	45	240
14"	240	45	280
16"	270	45	350
K1250A 14"	280	45	280
16"	270	45	350
K2500 16"	240	350	45
K30 12"	270	210	45
K40 14"	240	300	45